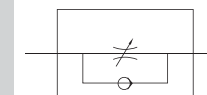


RE-06



BRE-08



2

How to Order?

Series No.	Port size	Tooth type code
RE: Flow control valve	06: 1/8" 08: 1/4" 10: 3/8" 15: 1/2"	Blank: G P: PT T: NPT

Order Example:

RE series flow control valve, 1/4" port size, G thread, the ERP code is: RE-08

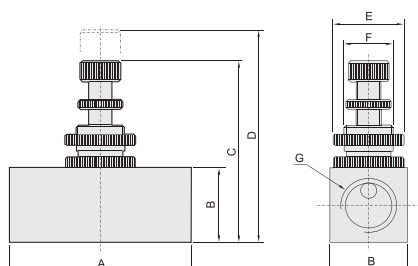
Product Features

* Normally, it isn't used in pneumatic system separately, always used with main valve together, offering a good assistance for main valve to control the whole system, so the system can work very well.

Specifications

Model	RE-06	RE-08	RE-10	RE-15
Working medium	Clean air(After 40 μm filtration)			
Lubrication	Not required			
Working pressure (MPa)	0.05-1.0			
Guaranteed pressure (MPa)	1.5			
Working temperature (°C)	-5-60			
Port size	1/8	1/4	3/8	1/2

Main Dimension



Model	A	B	C	D	E	F	G
RE-06	43	19	46.5	52	Φ17.5	M14X1	G1/8
RE-08	43	19	46.5	52	Φ17.5	M14X1	G1/4
RE-10	53	26	54	58	Φ24	M18X1	G3/8
RE-15	53	26	54	58	Φ24	M18X1	G1/2

2

How to Order?

Series No.	Port size	Tooth type code
BRE: The large flow control valve	06: 1/8" 08: 1/4" 10: 3/8" 15: 1/2"	Blank: G P: PT T: NPT

Order Example:

BRE series large flow control valve, 1/4" port size, G thread, ERP code is: BRE-08

Product Features

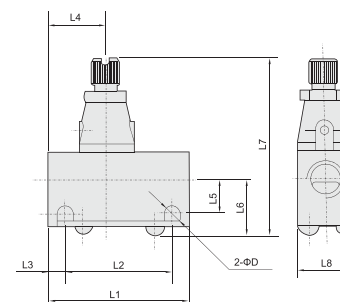
* Normally, it isn't used in pneumatic system separately, always used with main valve together, offering a good assistance for main valve to control the whole system, so the system can work very well.

Specifications

Model	BRE-06	BRE-08	BRE-10	BRE-15
Working medium	Clean air (After 40 micron filtration)			
Working pressure (MPa)	0.05-1.0			
Max. pressure resistance (MPa)	1.5			
Working temperature (°C)	-5-60			
Sizes available	1/8 - 1/2			

Main Dimension

BRE-06/08/10



Model	Port Size	L1	L2	L3	L4	L5	L6	L7	L8	D
BRE-06	G1/8	40	30	5	17	10	15.5	50 - 54.5	16	4.5
BRE-08	G1/4	40	30	5	23	11.5	17	51.5 - 56	20	4.5
BRE-10	G3/8	56	45.5	5.25	25	13.2	21	62 - 69	26	5.5

BRE-15

